



INSTALLATION INSTRUCTIONS

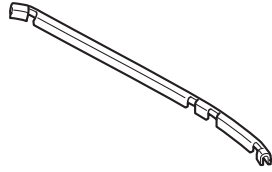
Accessory
DOOR EDGE GUARDS
P/N 08P20-TZ5-200B

Application
2017 MDX

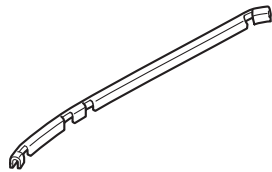
Publications No.
VERSION 1
Issue Date
JUN 2016

PARTS LIST

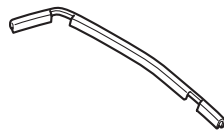
Right front door edge guard



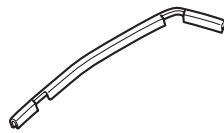
Left front door edge guard



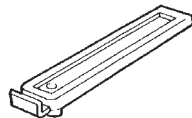
Right rear door edge guard



Left rear door edge guard



Seam sealant cutting tool



TOOLS AND SUPPLIES REQUIRED

Rubber mallet
Felt-tip pen
Touch-up paint
High-quality paste wax

INSTALLATION

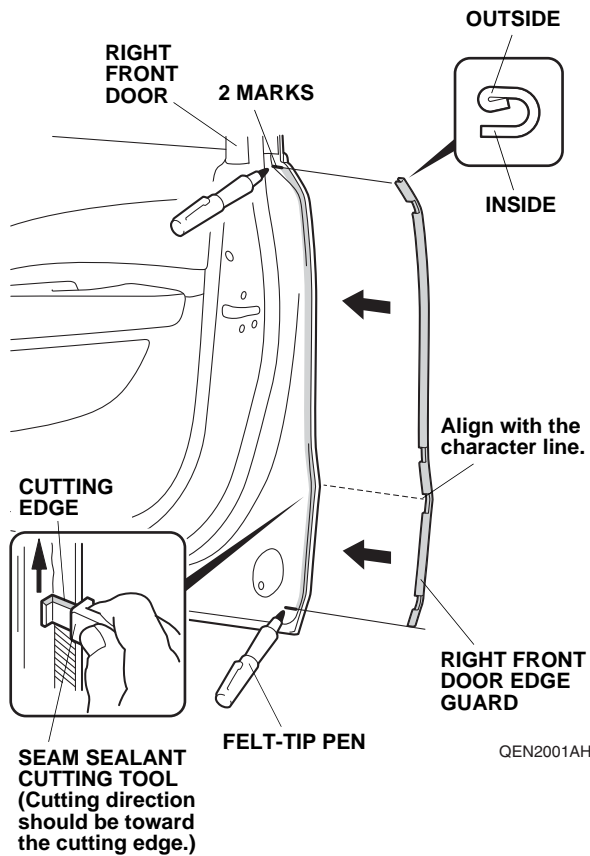
Client Information: The information in this installation instruction is intended for use only by skilled technicians who have the proper tools, equipment, and training to correctly and safely add equipment to your vehicle. These procedures should not be attempted by "do-it-yourselfers."

NOTE:

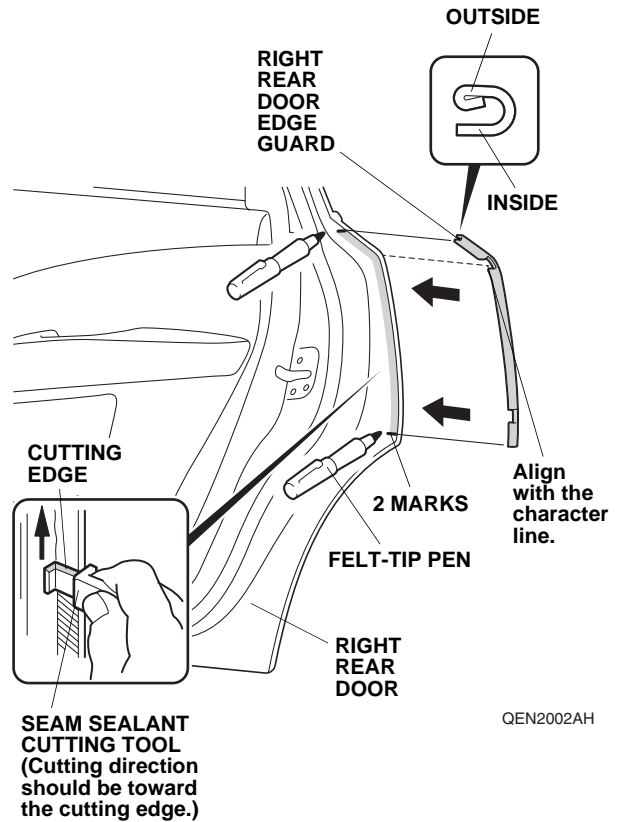
- Be careful not to damage the body paint finish.
 - These instructions are for the right side of the vehicle. The same procedure applies to the left side of the vehicle.
1. Clean and wax the areas to be covered. Use a high-quality paste wax.
 2. Identify each door edge guard by holding it up to the door and matching its contour with the door edge.

- Using the bends for reference, position each door edge guard against the inside edge of the door. Mark the sealant at the top and bottom ending points of each door edge guard.

Right Front Door:



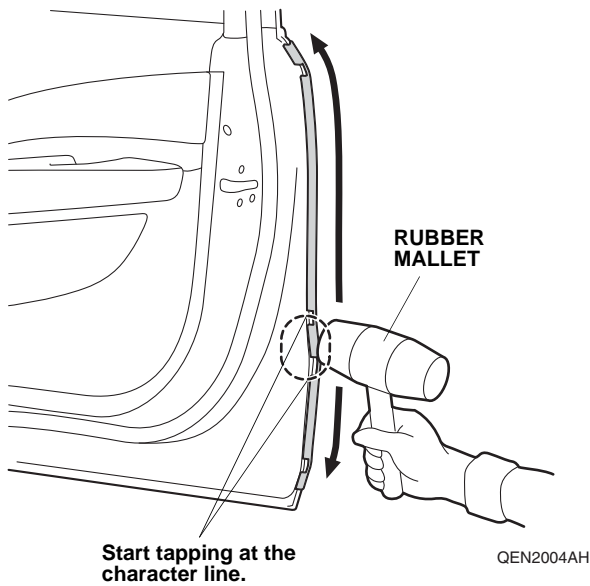
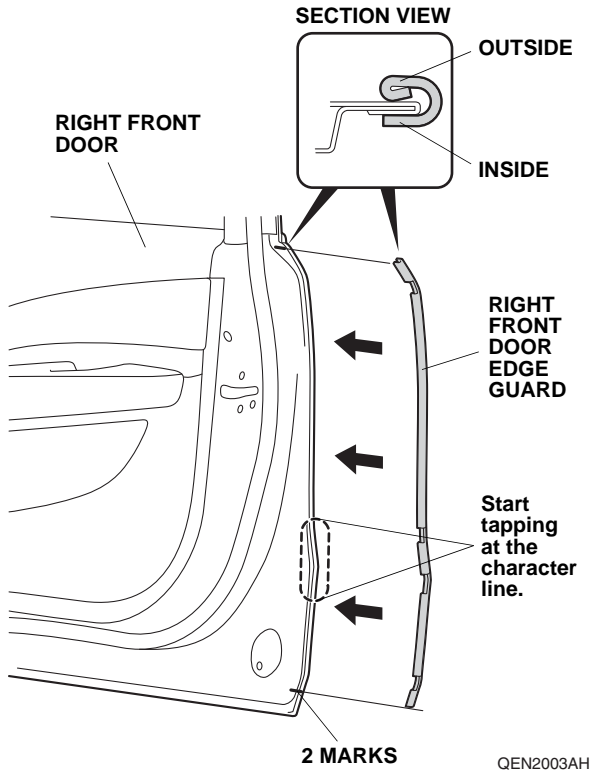
Right Rear Door:



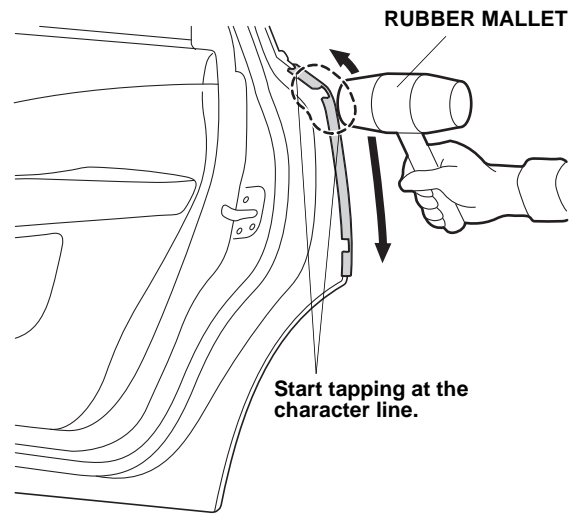
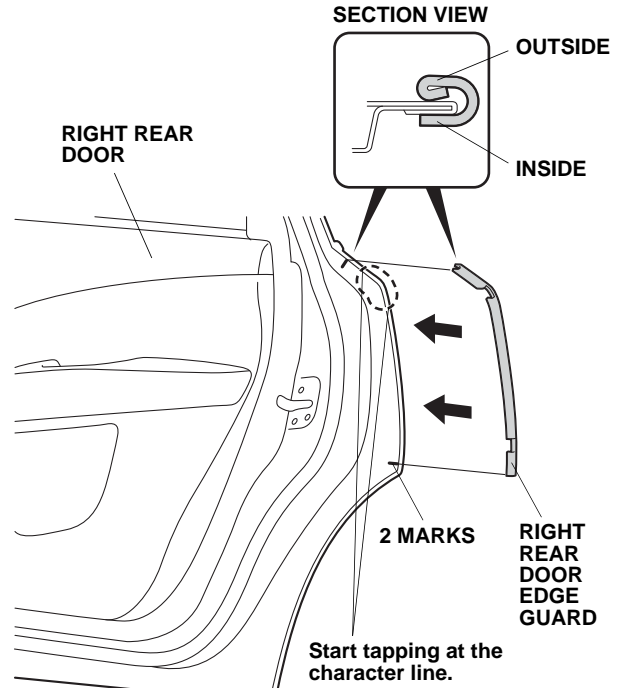
- Position the cutting edge of the seam sealant cutting tool against the door edge and trim the seam sealant from mark to mark.
NOTE: The seam sealant cutting tool only cuts in one direction. Move it upward on the right side on the vehicle and downward on the left side.
- Apply touch-up paint to the door and let it dry.

- Using the bends for reference, position the door edge guard on the door edge. Starting at the character line, use a rubber mallet to tap the door edge guard into position with a series of light taps. **NOTE:** Be sure to use a series of light taps. Once in place, do not remove, reposition, or reinstall the door edge guard. It will not hold securely.

Right Front Door:



Right Rear Door:



- Repeat steps 3 through 6 to install the door edge guards on the left side of the vehicle.